



NH000-fuse switch disconnecter for panel mounting

Range KE

Size: 000 / 3-pole / 125A/690V

Wide of 54mm

IP degree of protection IP20

Cover lock and lead sealing

Frame clamps 2,5 - 50 mm²

for panel mounting

integrated touch protection

Auxiliary switch for the switch position - optional

Marker label

Silver plated contacts providing low power loss

Item	kg/pc	unit	Item No.
NH 000 AT, with frame clamps 2,5-50mm ²	0,488	1	202010

Approvals:

IEC 60947-1
IEC 60947-3

Electrical data

Number of pole:	3			
Size of fuse links:	000			
Rated voltage U_N :	690V			
Rated insulation voltage U_i :	1000V			
Rated frequency:	50 ... 60 Hz			
Max. permis. power loss per fuse-link:	9 W			
Total power loss at I_{th} (without fuse links):	17 W			
Rated impulse withstand voltage: U_{imp}	6000V			
Utilization category :	AC-21B	AC-23B	DC-22B	
Rated switching voltage U_e :	690V	400V	250V	
Rated switching current I_e :	125A	125A	100A	
Rated short circuit making current:				
	at 690V	50kA	50kA	20kA
	at 500V	50kA	50kA	20kA
	at 400V	80kA	80kA	20kA
Rated short circuit withstand current (with fuse protection):				
	at 690V	80kA	80kA	20kA
	at 500V	80kA	80kA	20kA
	at 400V	80kA	80kA	20kA

Mechanical Data

IP degree of protection:	IP 20		
To be installed in the room free of any dust, aggressive or explosive gases.			
Contamination level:	3		
Mechanical durability:	Number of cycles	1600	
Electrical durability:	Number of cycles	200	
Field of application:	up to 2000m above the sea level		
Ambient temperature::	-25°C bis +55°C		
Relative humidity of the air should not be higher than 50% at temperature +40°			
Plastic:	fibre glass strengthened polyamide with halogen free flame retardant		
Fire classification:	V0		

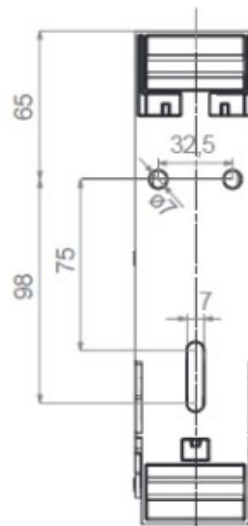
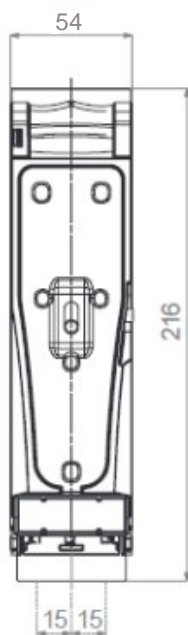
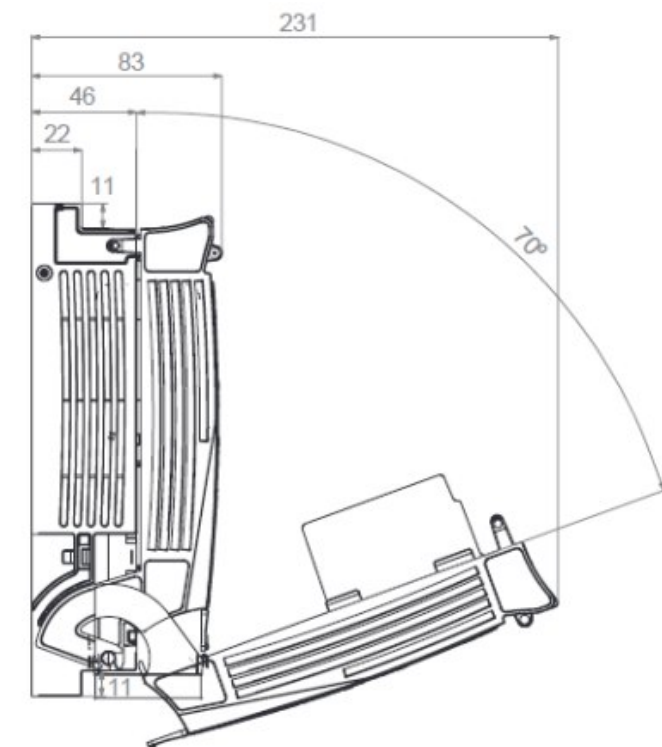
Cable Terminal

Clamps:
 Tightening torque:
 Screw M6:
 Cross-section of conductors:



frame clamps
 M_D 6,0Nm
 Phillips
 2,5 - 50mm²

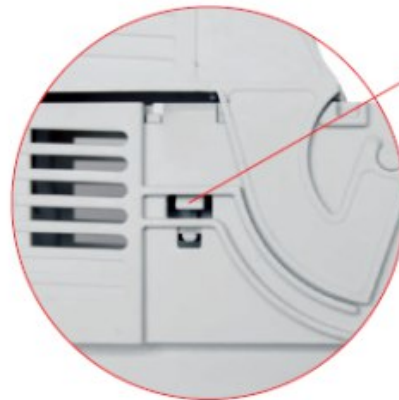
Dimensions:



Dimension of mounting holes

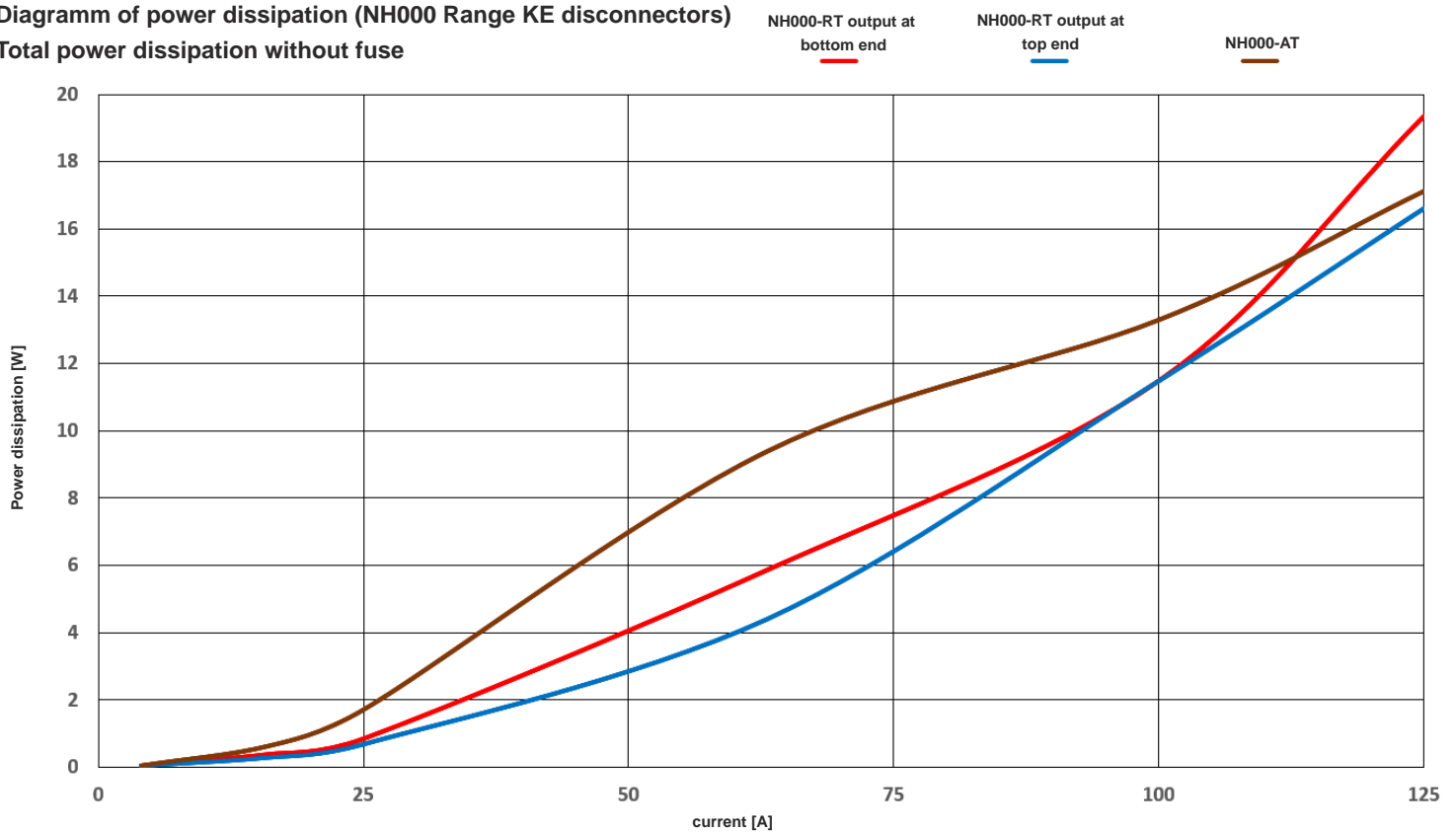
Auxiliary switch:

Auxiliary switch:
Optional left or right
mountable (accessories)



Hole of leading
of wires connected
to the auxiliary
switch

Diagramm of power dissipation (NH000 Range KE disconnectors)
Total power dissipation without fuse



Accessories:



Item	kg/pc	unit	Item No.
Auxiliary switch for switching position incl. attachable holder for Auxiliary switch AC-15 U_e 230V ~ I_e 2,5A DC-13 U_e 230V ~ I_e 0,3A	0,03	1	200852/000



NH-fuse links:

with non-isolated gripping lugs, double indicator, contact blades, complying with
DIN VDI 0632-2 Operating class (gL) gG
Size 000 500~/250V-

Description	kg/pc	unit	Item No.
Size 000 2A	0,12	3	140602
Size 000 4A	0,12	3	140604
Size 000 6A	0,12	3	140606
Size 000 10A	0,12	3	140610
Size 000 16A	0,12	9	140616
Size 000 20A	0,12	9	140620
Size 000 25A	0,12	9	140625
Size 000 32A	0,12	9	140632
Size 000 35A	0,12	9	140635
Size 000 40A	0,12	9	140640
Size 000 50A	0,12	9	140650
Size 000 63A	0,12	9	140663
Size 000 80A	0,12	9	140680
Size 000 100A	0,12	9	140690
Size 000 125A	0,12	9	140693
NH-contact blades Size NH000 / 160A	0,12	9	141710