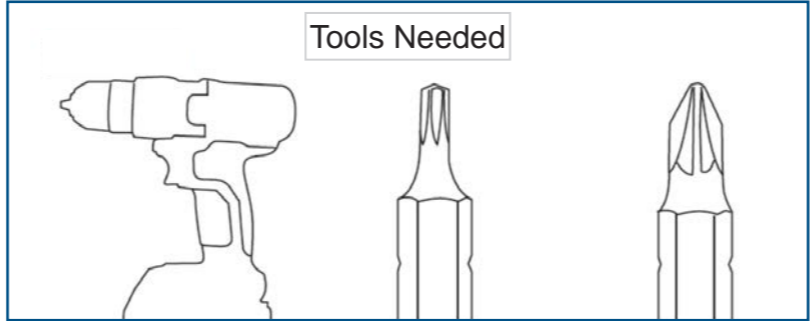
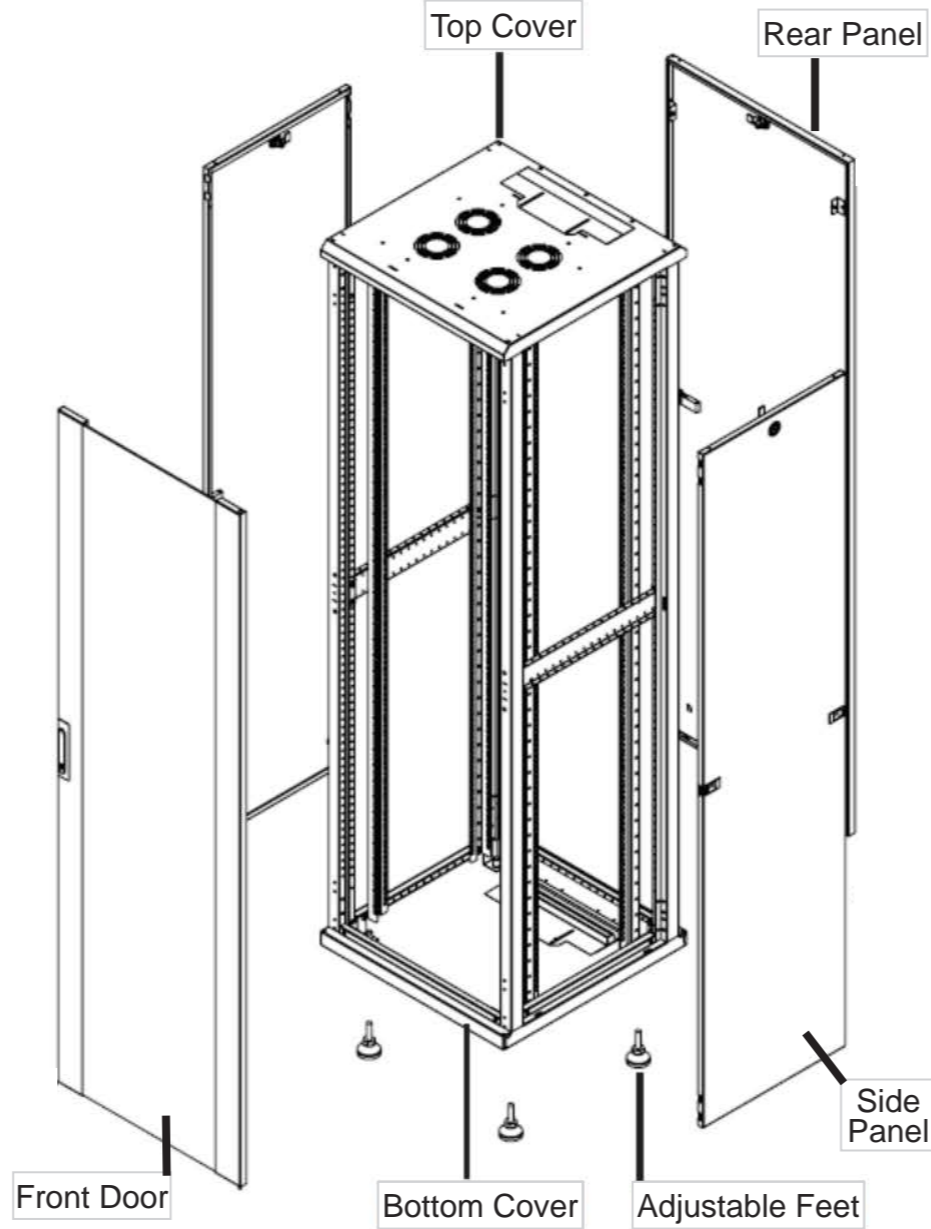


# Server & Network Cabinets

## Assembly Instructions



**1 Attach the Adjustable Feet to the Bottom Cover**

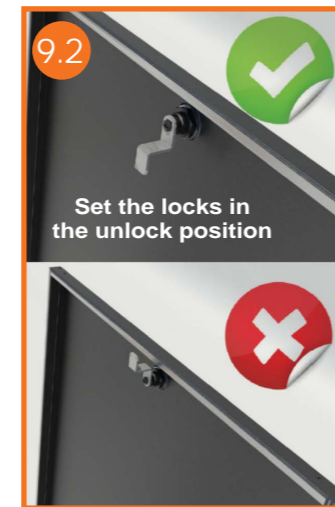
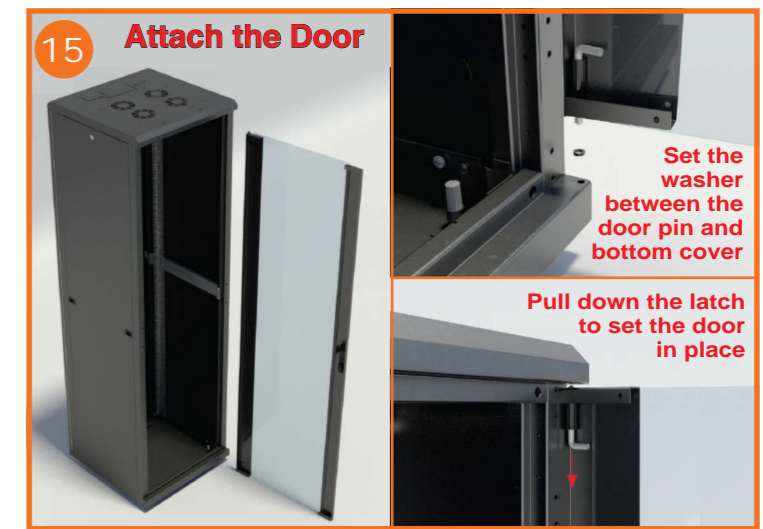
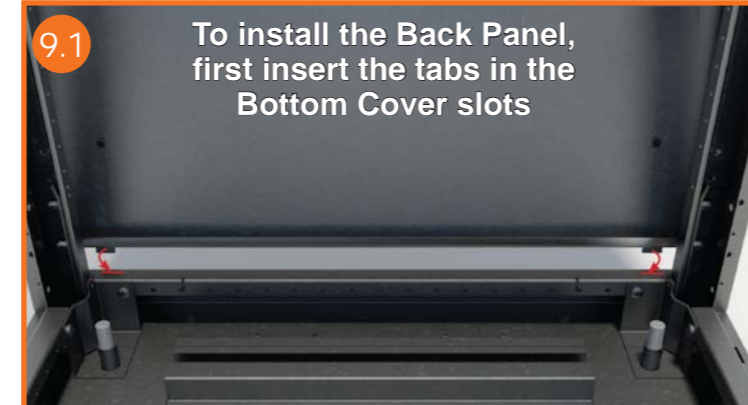
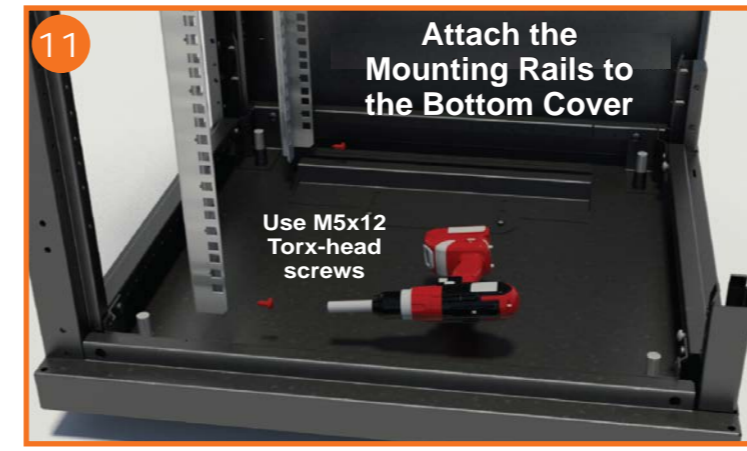
Note: Cable entry is at the rear

**2 Set the Vertical Profiles on the Bottom Cover**

Insert each profile as shown

**3 Secure the Vertical Profiles on the inside using M5x12 Phillips-head screws**

Do not overtighten: It can damage the screws



\* Steps 13.1 & 13.2 are for 800mm-wide cabinets.

**13.1** Attach a pair of adapters to each side support rail (on the left and right sides of the cabinet interior).

**13.2** Attach the mounting rails:

- First, to the adapter
- Next, to the bottom cover
- Then, to the top cover

\* Steps 10-12 are for 600mm-wide cabinets. For cabinets that are 800 mm wide, jump to Step 13.1.

**Caution:** The mounting rails are attached to the cabinet at 3 points: Be sure they are a safe distance from the door.