

KCT零序电流互感器

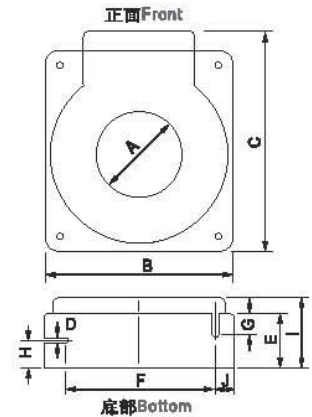
Zero-Phase Current Transformer

技术数据 Technical Data

额定频率 Rated Frequency	50/60HZ	
准确级 Accuracy Class	5P、10P(外接电阻时)	
额定匝数比 Rated turns ratio	1/210(可按用户需求定制)	
剩余电流输入/感应输出电压参数 Residual current input / output voltage sensing parameters	零相(初级/次级) Zero Phase(Primary/Secondary)	额定电阻负荷 Rated Resistive Burden
	300mA/80mV	56Ω(KCT内带)
	3A/80mV	5.6Ω(外接,在KLR523内)
	30A/80mV	0.5Ω(外接,在KLR523内)
额定一次电流 Rated primary current	0.3A	
额定准确限值一次电流 Rated accuracy limit primary current	3A	
准确限值系数 Accuracy limit factor ALF	10	
设备最高电压 Highest voltage for equipment	0.72kV	
额定工频耐受电压 Rated power-frequency withstand voltage	3kV	
工作温度 Operating Temperature	-25 ~ +40°C	

尺寸 Dimensions

尺寸 Dimension(mm)	KCT40	KCT55	KCT80
A	40	55	80
B	79	126	120.5
C	97	151	138
D	3.5	4	3.5
E	35	37	35
F	53.5	100	94.5
G	17.5	14	17.5
H	17.5	19	17.5
I	32	44	37
J	10	12.5	10



订购信息 Ordering Information

型号 Model	内径 Inner Dia	穿心电缆的最大电流 Maximum current feed through cable	安装螺纹规格 Mounting thread size
KCT40	40mm	250A	M3.5
KCT55	55mm	400A	M4
KCT80	80mm	630A	M3.5

