

Vemer S.p.A.

I - 32032 Feltre (BL) • Via Camp Lonc, 16

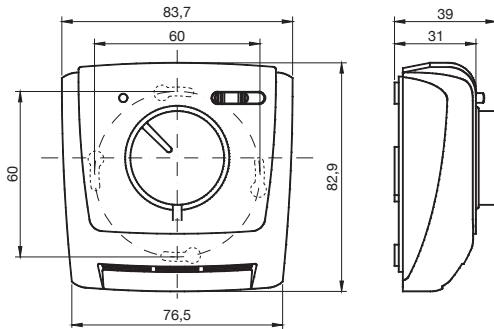
Tel +39 0439 80638 • Fax +39 0439 80619

e-mail: info@vemer.it - web site: www.vemer.it

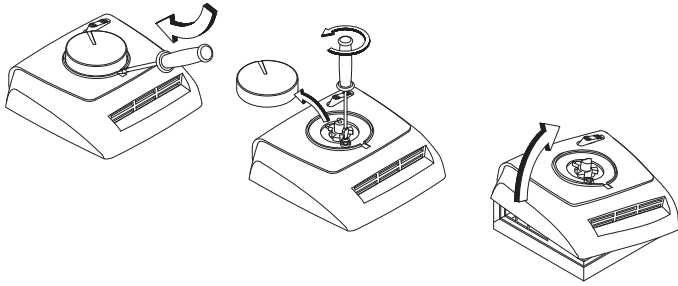
Mod. KLIMA



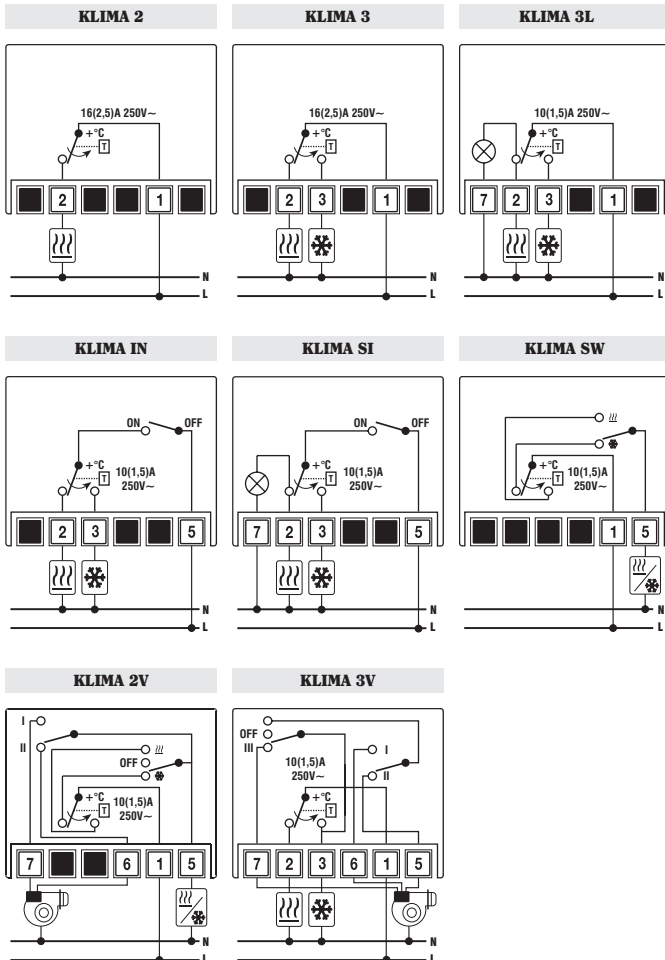
## DIMENSIONS



## INSTALLATION



## CONNECTIONS



## User Manual

## AMBIENT GAS MEMBRANE THERMOST

Read all the instruction carefully

- This thermostat is designed for automatic regulation of heating and conditioning systems in houses, hotels, schools, offices, workshops and many other environments, both domestic and industrial. It is also ideal for heating and air conditioning numerous industrial and civil applications.

## SAFETY WARNINGS

- During installation and operation of the product, it is necessary to comply with the following instructions:
  - The instrument must be installed by a skilled person, in strict compliance with the connection diagrams
  - Do not power on or connect the instrument if any part of it is damaged
  - After installation, inaccessibility to the connection terminals without appropriate tools must be granted
  - The instrument must be installed and activated in compliance with current electric systems standards
  - Before accessing the connection terminals, verify that the leads are not live

Code	Model	Contact	Functions
VE018800	KLIMA 2	NA	-
VE019600	KLIMA 3	NA + NC	-
VE020400	KLIMA 3L	NA + NC	Power on warning lamp
VE021200	KLIMA SI	NA + NC	ON/OFF + Power on warning lamp
VE022000	KLIMA IN	NA + NC	ON/OFF
VE023800	KLIMA SW	NA + NC	Summer/Winter
VE024600	KLIMA 2V	NA + NC	2 speed + Summer/Winter/OFF
VE268900	KLIMA 3V	NA + NC	3 speed + OFF

## TECHNICAL SPECIFICATIONS

- Free mounted single-pole mechanical thermostat
- Setting range: +5 / +30°C
- Differential:  $\Delta t \leq 1^\circ\text{C}$
- Capacity of the contacts: 16(2,5)A 250V ~ for models KLIMA 2 e KLIMA 3  
10(1,5)A 250V ~ for models KLIMA 3L, KLIMA SI, KLIMA IN, KLIMA SW, KLIMA 2V, KLIMA 3V
- Thermal gradient:  $1^\circ\text{C} / 15 \text{ min.}$
- Sensitive element: vapour expansion lung
- Class I equipment
- Protection degree: IP20
- Type of action: 1B
- Silver contacts 1000/1000
- Break or switching contacts
- Pollution degree: 2 (normal)
- Voltage pulse: 4kV
- Operating temperature:  $0 \div 40^\circ\text{C}$
- Operating humidity:  $20 \div 90 \% \text{RH noncondensing}$

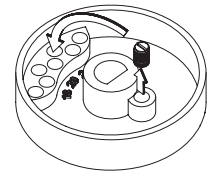
## INSTALLATION

- You are advised to position the thermostat as far as possible in a place that reflects the average temperature of the whole area. Avoid positioning it near doors, windows, sources of heat and in places where there is too much or too little ventilation. The thermostat should be fitted at approximately 1.5 m from the ground.

- The thermostat can be fitted to the flush-mounting box of the electric system (centre distance 60 mm) or directly to the wall (centre distance 60 mm);
- Remove the knob, unscrew the screw of the cover and remove it as shown in the drawing;
- fix the base to the wall
  - connect the thermostat earth by using the terminal marked with the earth symbol
  - follow the wiring diagram inside the cover; fix the flexible inseparable wires to the relative screw terminals
  - replace the cover, screws and knob.

## USER'S GUIDE

- Set the temperature required by turning the knob;
- To limit the setting field:
  - Isolate the power supply line
  - Remove the knob
  - Insert the limit markers in the housing under the knob ( $17^\circ\text{C} \div 23^\circ\text{C}$ )
  - Return the knob to its housing.



## REFERENCE STANDARDS

Conformity with EU directives:

2006/95/EC (low voltage)

2004/108/EC (E.M.C.)

is declared with reference to the following standard:

- EN 60730-2-9:** Automatic electric command devices for household and similar use. Part 2: particular provisions for thermosensitive command devices.