



**QUICKLUX
TWILIGHT
SWITCH**



www.vemer.it

QUICKLUX: beyond form

Without giving up simplicity and quality, the range of twilight switches Vemer is enriched with a device that presents itself in a new guise: **Quicklux**.

MORE EVIDENT CHARACTERISTICS

- **COMPACT FORM OF THE COVER** (as an alternative to the "dome" of the traditional models)
- **ADJUSTING METHOD OF THE INTERVENTION THRESHOLD** (which occurs via trimmer without the need to open the device)



THE INNOVATIVE PART

- **THE WIRING SYSTEM:** the special connector on the twilight switch Quicklux overcomes the limits of traditional screw and plug-in connections and has got a number of advantages.

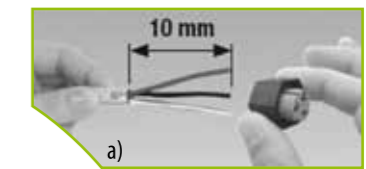


- A drastic reduction of wiring time
- The elimination of stripping operation of conductor cables
- The possibility of repeat more times the connection
- The presence of integrated cable clamp
- A high degree of protection IP
- The connection of the conductor without the need to open the device
- The detachment of the device by simply unscrewing the nut

INSTALLATION

QUICKLUX 3F

- Remove the outer sheath
- Insert the cable into the nut and each wire into the holes numbered of the terminal block (for positioning see "connection diagrams on the back) and cut off the excess wires
- Insert the terminal block in the seat
- Screw the nut. The internal mechanism will cut the sheathes of the wires by ensuring the contact with the terminals

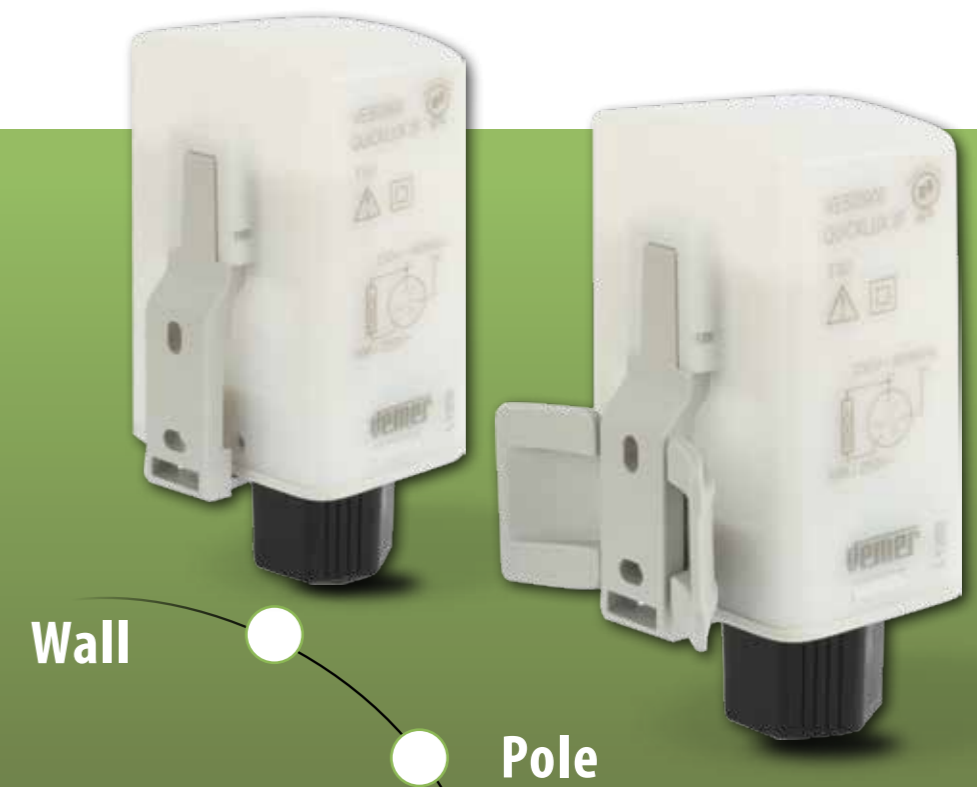


2 VERSIONS ARE AVAILABLE:

- 3F** VE503900 Quicklux 3F
Twilight switch with 3 wires suitable for controlling 230V powered loads
- 4F** VE504700 Quicklux 4F
Twilight switch with 4 wires suitable for controlling loads with different types of power.

FIXING SYSTEM

Simple also the bayonet fixing system, available both in wall-mounting version and for pole-mounting.



Wall

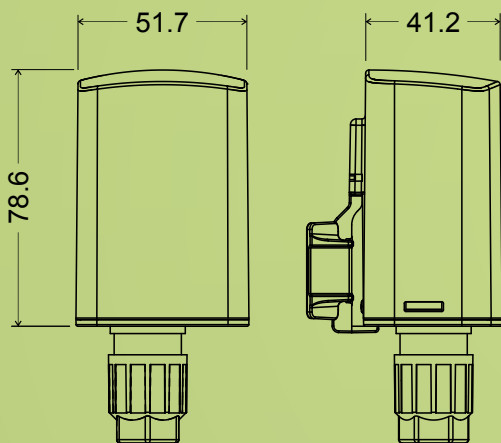
Pole

TECHNICAL CHARACTERISTICS

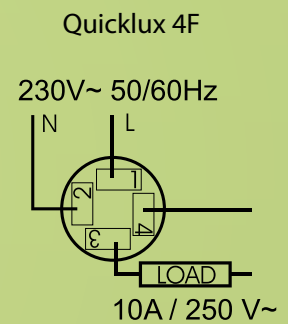
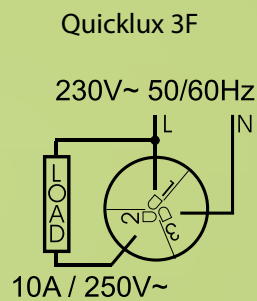
- Power supply: 230 V (-15% to + 10%) 50/60 Hz
- Absorption: 6 VA (1 W)
- Installation: wall / pole (with included accessory)
- Relay capacity: 10A / 250 V
- Sensitivity: 3 ÷ 70 lux (settable via trimmer)
- Intervention time: 10 seconds
- Hysteresis on sensitivity: 4 lux

- Characteristics of cables for wiring:
 - flexible cables section: 0.75 ÷ 1.5 mm²
 - maximum diameter of cable with sheath: 3 mm
 - outer sheath diameter: 5.6 ÷ 9 mm (Quicklux 3F)
7 ÷ 10 mm (Quicklux 4F)
- Degree of protection: IP54

DIMENSION



CONNECTION DIAGRAMS




www.vemer.it

Vemer SpA
Via Camp Lonc, 16
I - 32032 Villapaiera - Feltre (BL)
Phone. +39 0439 80638
Fax. +39 0439 80619
Technical assistance: +39 0439 879885
info@vemer.it
www.vemer.it


MADE IN ITALY

