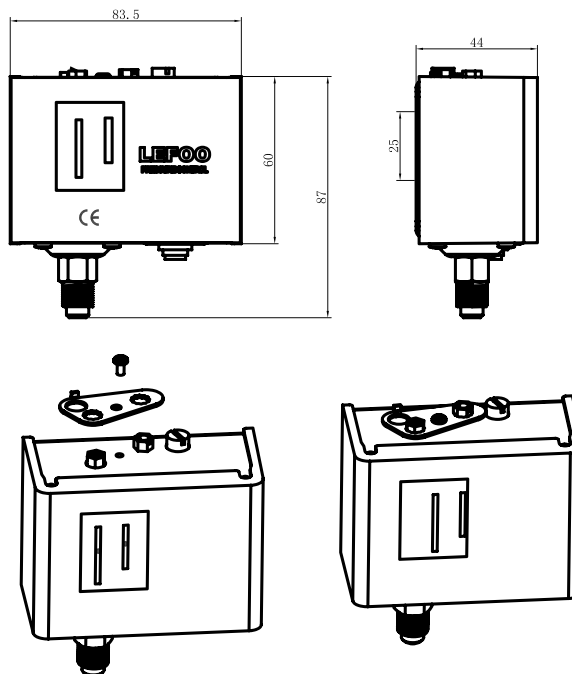


LF55

Pressure switch for refrigeration system

LEFOO

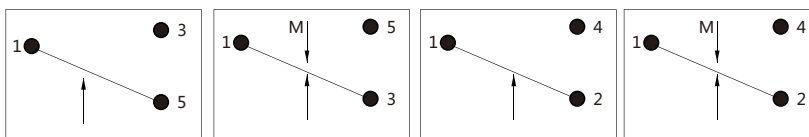


Dimension in:mm

LF55 Series pressure switches are used to control the pressure of compressor in refrigerant system, also available in air or water fluid. This series have quite stable performance with internal micro-switch structure. Standard mounting bracket are provided

Contact Function

Arrow means the direction of pressure increasing, M means hand reset



Electrical Function

Rated Amps.(A)\Rated Voltage(V)	125VAC	250VAC	24VDC
Full Load	20A	10A	8A
Locked Rotor	72A	72A	64A
Temperature	-20~110°C		

Specification

Model	Range(bar)		Differential (bar)		Factory Setting(bar)		Max Operating Pressure(bar)
	Min	Max	Min	Max	OFF	ON	
LF5502	-0.5	2	0.2	0.7	1	0.5	16.5
LF5503	-0.5	3	0.35	1.5	2	1	16.5
LF5506	-0.5	6	0.6	4	3	2	16.5
LF5506M	-0.5	6	Reset Differential ≤1bar		3	Manual Reset	16.5
LF5508	-0.2	7.5	0.7	4	3	2	20
LF5510	1	10	1	3	6	5	16.5
LF5514	2	14	1	4	10	8	20
LF5516	3	16	1	4	10	8	35
LF5520	5	20	2	5	16	13	35
LF5530	8	30	Fixed 3 to 5bar		20	15~17	35
LF5530M	8	30	Reset Differential ≤4bar		20	Manual Reset	35
LF5530D	5	30	3	10	20	15	35
LF5532	8	32	2	6	20	17	35
LF5542	8	42	4	10	30	25	46.5

Conversion:1kgf/cm²=14.2psi 1psi=68.95mbar