

LW28GS Series Padlock type Power cut off switch isolator switch used for industrial



Scope

LW28GS series Padlock type Power cut off switch is derived product of LW28 universal changeover switch. The main use to the power cut-off switch of machine tool that can be locked by a padlock, in the open position ("O" or "OFF") and on position ("I" or "ON") can be locked by a padlock to prevent the misuse and operation control by unauthorized personnel.

The product comply with GB14048.3-2001, IEC60947-3.

Classification

1. Padlock type switch specification has **20A, 25A, 32A, 63A, 125A, 165A four rated current.**

In (1) type switch, 20A has big and small two size panels, the remaining specification is big size that can use 3 locks at the same time, and small size can use 2 locks at the same time.

The (2) type is big panel and can use 3 locks at the same time.

2. Padlock type switch can be divided by use with general and emergency stop style. General style (LW28GS-□03) is black panel, black handle.

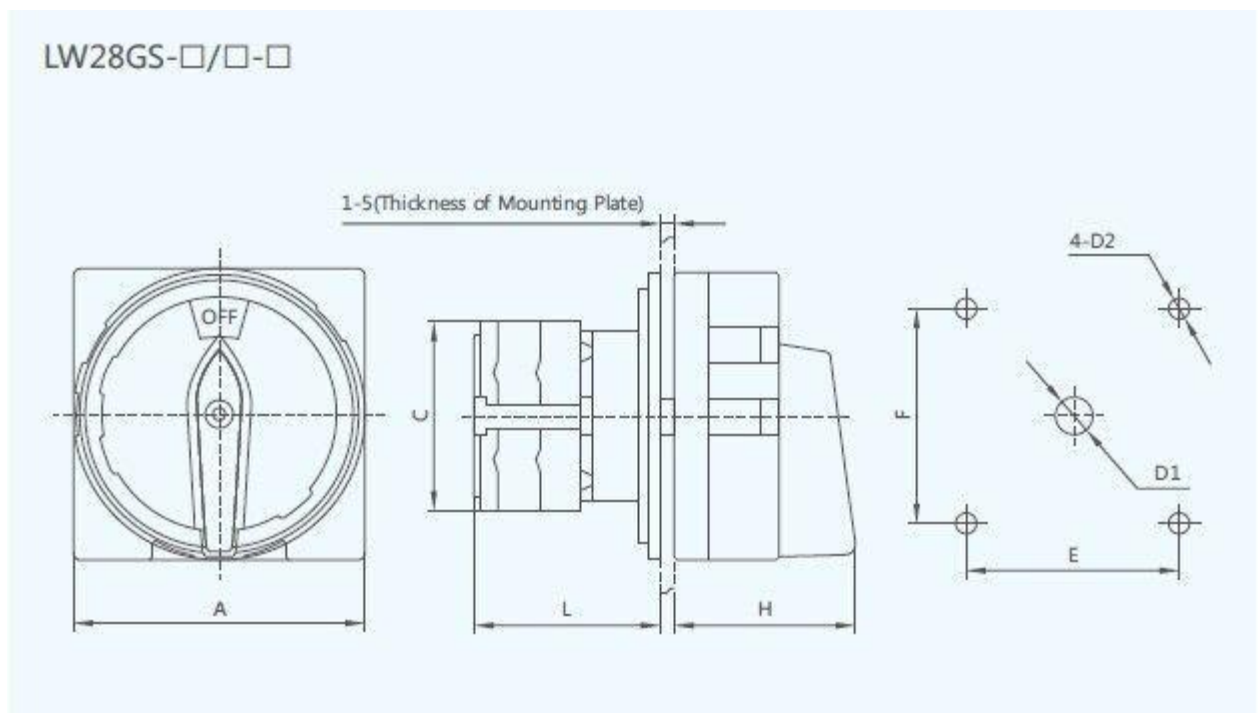
Emergency style (LW28GS-□04) is emergency stop sign, yellow panel red handle.

Main Technical Parameters

Model specification	LW28GS-20	LW28GS-25	LW28GS-32	LW28GS-63	LW28GS-1
Rated operating voltage Ue V	440	440	440	440	440
Rated thermal current A	20	25	32	63	125

Rated operating current	AC-21A	20	25	32	63	100
	AC-22A	20	25	32	63	100
	AC-23A	15	22	30	57	90
Rated control frequency	AC-23A	7.5	11	15	30	45
Operating cycle P kW	No-load	8500	8500	8500	8500	8500
	Load	1500	1500	1500	1500	1500
	The total load	10000	10000	10000	10000	10000

Dimensions and Mounting Dimensions



Model specification	Panel specification	Dimensions(mm)				Mounting dimensions(mm)			
		A	C	L	H	E	F	D1	D2
LW28GS-20/04-1	M1	□48	43	42	33	36	36	φ8.5	φ4.5
LW28GS-20/04-2	M2	□64	43	43	42	48	48	φ10	φ4.5
LW28GS-25/04-1	M1	□48	45.2	50	33	36	36	φ8.5	φ4.5
LW28GS-25/04-2	M2	□64	45.2	51	42	48	48	φ10	φ4.5
LW28GS-32/04-2	M2	□64	58	55	42	48	48	φ10	φ4.5
LW28GS-32/04-3	M3	□88	58	55	52	68	68	φ13	φ6
LW28GS-63/04-2	M2	□64	66	72.5	42	48	48	φ10	φ4.5
LW28GS-63/04-3	M3	□88	66	72.5	52	68	68	φ13	φ6
LW28GS-125/04-3	M3	□88	84	88	52	68	68	φ13	φ6
LW28GS-160/04-3	M3	□88	88	100	52	68	68	φ13	φ6