

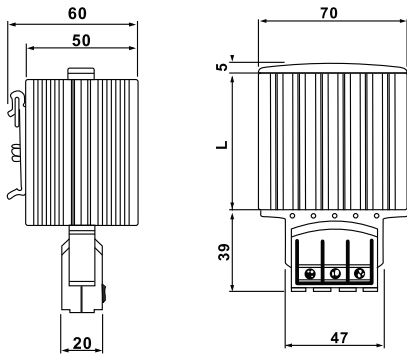
HG140 Type Heater



- Pressure clamp connectors
- Dynamic heating up
- wide voltage range
- Temperature limiting
- Energy saving
- Clip fixing
- Quick installation

These heaters are used in enclosures where damage from condensation must be prevented or where the temperature may not fall below a minimum value. The aluminium profile heater body design has a chimney effect and distributes the heat evenly. The pressure clamp connectors save time and simplify installation.

Size chart



| | |
|----------------------------------|---|
| Operating voltage | 120-250V AC/DC |
| Heating element | PTC resistor, self regulating and temperature limiting |
| Heater body | extruded aluminium profile, anodised |
| Connection casing | 3 pressure clamps for stranded wire 0.5-1.5mm ² (with wire and ferrule) and rigid wire 0.5-2.5mm ² plastic according to UL94 V-0, black |
| Mounting | clip for 3.5mm DIN rail, EN 50022 |
| Fitting position | vertical |
| Operating/Storage temperature | -45 to +70°C (-49 to +158°F) |
| Protection type/Protection class | IP20/I(earthed) |
| Certificate | CE |

Operating with voltages below 140V AC/DC reduces heating performance by approx, 10%

| Type | Heating capacity | Inrush current max. | Length(L) (mm) | Weight (approx) |
|--------|------------------|---------------------|----------------|-----------------|
| HG 140 | 15W | 1.5 | 75 | 0.3 |
| HG 140 | 30W | 3 | 75 | 0.3 |
| HG 140 | 45W | 3.5 | 75 | 0.3 |
| HG 140 | 60W | 2.5 | 75 | 0.3 |
| HG 140 | 75W | 4 | 75 | 0.3 |
| HG 140 | 100W | 4.5 | 145 | 0.5 |
| HG 140 | 150W | 9 | 145 | 0.5 |

