

**logistics details**

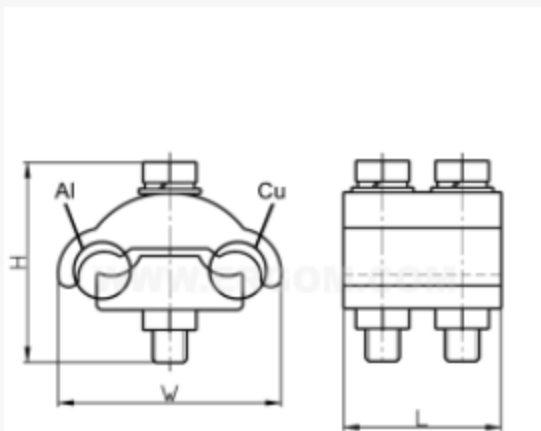
|                |   |
|----------------|---|
| Product title: | <b>Parallel groove clamps for overhead power lines ZLN ... /AM type</b> |
| Type:          | <b>ZLN 10150/2AM</b>  |

**Sections**

|   |                     |
|---|---------------------|
| Line cross section Al/Cu [mm <sup>2</sup> ] | <b>25÷150/10÷95</b> |
|---|---------------------|

**mechanical details**

|              |   |
|--------------|---|
| Material     | <b>Body – Aluminium, copper;<br/>Screws – Galvanized steel;<br/>Nuts – Galvanized steel</b> |
| Nr of screws | <b>2</b>  |
| Screw        | <b>M8x30</b>  |

**Sizes**

|   |           |
|---|-----------|
| L | <b>50</b> |
| H | <b>55</b> |
| W | <b>45</b> |