

**logistics details**

Product title:	<b>Butt connectors join in „butt” KL type</b>
Type:	<b>KL 95 (50 SZT./PCS)</b>
Weight netto:	<b>~ 2,735 kg</b>

**Certificates**

Design	<b>standard</b>
--------	-----------------

**crimping**

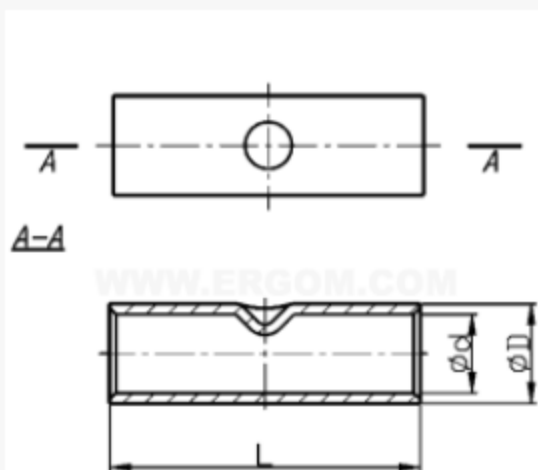
Die code No.	<b>17</b>
No. of crimping wide	<b>1 - 1</b>
No. of crimping narrow	<b>3 - 3</b>

**mechanical details**

Material	<b>Cu</b>
Surface	<b>tin-plated</b>

**Sections**

Cross section mm <sup>2</sup> /sm [mm <sup>2</sup> ]	<b>95</b>
--	-----------

**Sizes**

d	<b>13,5</b>
D	<b>18,0</b>
L	<b>58</b>