

logistics details

Product title:	Butt connectors join in „butt” KL type
Type:	KL 240 (50 SZT./PCS)
Weight netto:	~ 7,010 kg

Certificates

Design	standard
--------	-----------------

crimping

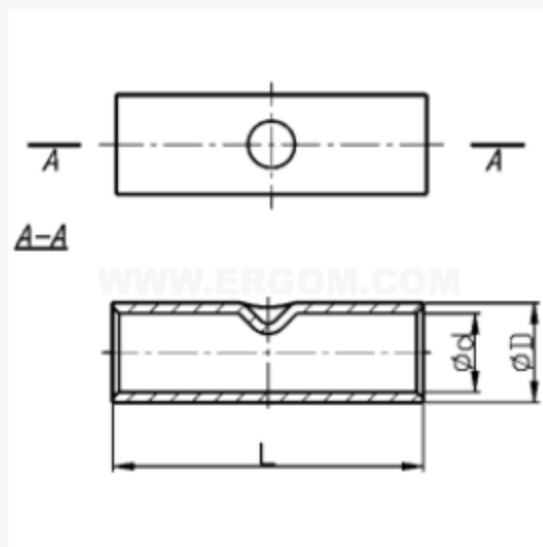
Die code No.	25
No. of crimping wide	2 - 2
No. of crimping narrow	5 - 5

mechanical details

Material	Cu
Surface	tin-plated

Sections

Cross section mm/sm [mm ²]	240
--	------------

**Sizes**

d	21,0
D	26,0
L	88