

logistics details

Product title:	Insulated ring terminals KOI...PC type
Type:	KOI 70/10 PC (100 SZT./PCS)

mechanical details

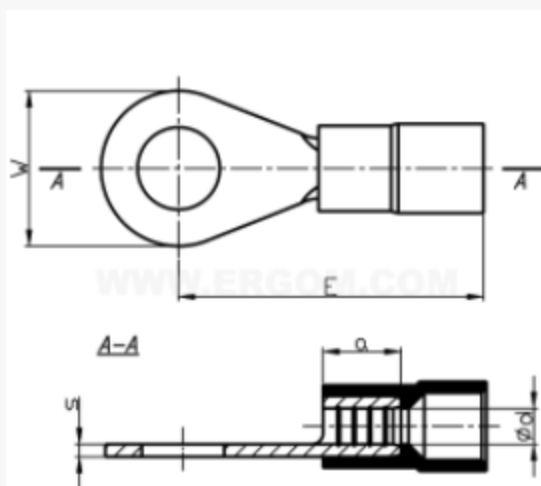
Insulated	polycarbonate
Insulation color	yellow
Material	Cu
Surface	tin-plated
Working temperature [°C]	-50 ÷ +120
Size of bolt dia	M 10
DIN	–

Certificates

Design	DIN 46237
--------	-----------

Sections

Cross section [mm ²]	70
----------------------------------	----



Sizes

d	13.0
s	2,0
a	18
E	54
W	22