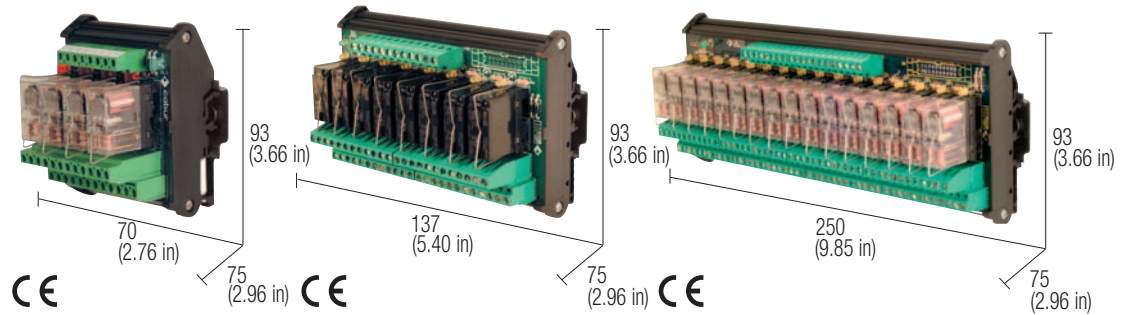


24 Vdc DPDT relay modules negative common

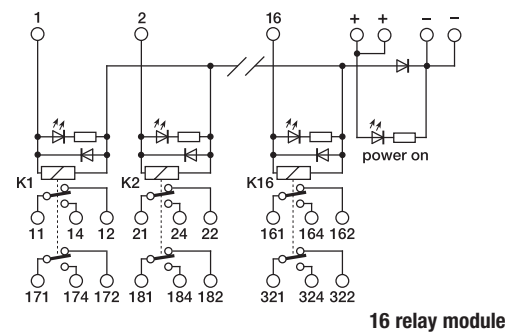
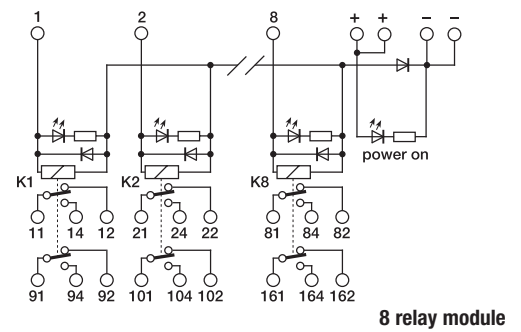
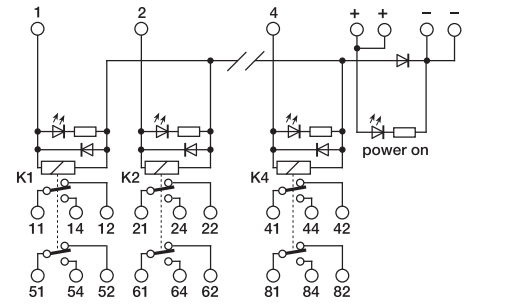
- DC control voltage
- Negative control voltage
- Status LED display
- Pluggable relay



NOTES

The height dimension includes 35 mm DIN rail.
 (1) Relay model is not binding, they may be modified without prior warning. The technical data shown here is to be considered typical.

BLOCK DIAGRAM



VERSIONS

4 relay module

8 relay module

16 relay module

Cat. No. XR042E24	Cat. No. XR082E24	Cat. No. XR162E24
R42E24	R82E24	R162E24

INPUT TECHNICAL DATA

Rated voltage	24 Vdc \pm 10%
Rated current (1 channel)	22 mA \pm 10%
Turn ON time	15 ms
Turn OFF time	10 ms
Protection circuit	damping and polarity protection diode

OUTPUT TECHNICAL DATA

Type and number of contacts	DPDT AgNi
Nominal load (resistive)	8 A / 250 Vac
Current breaking power	8 A
Current of the fuse max.	—

GENERAL TECHNICAL DATA

Operating temperature range	-10...+50°C
Coil/contact isolation	2.5 kVac / 60 s
Isolation between output terminals	1 kVac / 60 s (between open contact)
Protection degree	IP 00 IEC 529, EN60529
Overtoltage category / Pollution degree	III / 2
Reference Standard	IEC 664-1, DIN VDE 0110.1
Status display	green LED / yellow LED
Connection terminal	2.5 mm ² fixed screw type
Housing material	UL94V-0 plastic material
Approx. weight	225 g (7.94 oz) 419 g (14.78 oz) 811 g (28.60 oz)
Mounting information	vertical on rail adjacent without gap

MOUNTING ACCESSORIES

Mounting rail type according to IEC60715/TH35	PR/3/AC, PR/3/AC/ZB, PR/3/AS, PR/3/AS/ZB
Mounting rail type according to IEC60715/G32	PR/DIN/AC - PR/DIN/AS - PR/DIN/AL
Replacement relay (1)	Cat. No. 8904002
Screw type jumper	red white blue