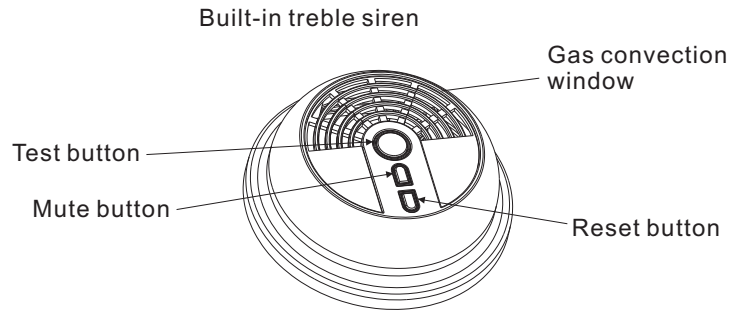


MD-2003 Home Gas Leak Alarm Instructions

Product Introduction

This product selects the most advanced small current imported gas sensor, can detect the leak gas in a timely manner, accurately reflect the alarm situation. Elegant streamlined design, convenient installation, can also be used as part of the home decoration.



Specifications

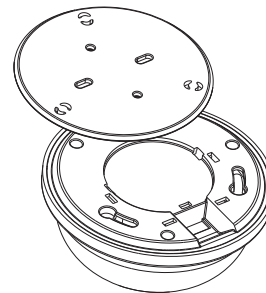
Model: MD-2003
Test gas: natural gas
Power supply: DC 9V-16V
Working current:
Speaker volume: ≥ 70 dB/m(1 meter ahead)
Alarm concentration: 15% LEL
Recovery concentration: 8% LEL
Working environment: $-10^{\circ}\text{C} \sim 40^{\circ}\text{C}$
Relative humidity: $\leq 90\%$ RH

Stability: long-term work alarm concentration is not greater than $\pm 5\%$ LEL
Repeatability: Repeat test alarm concentration no more than $\pm 5\%$ LEL
Alarm concentration error: no more than $\pm 3\%$ LEL
Alarm mode: sound and light alarm, the output wireless signal
Power consumption: no more than 5W

Installation

1. First, make sure that the gas you want to detect is heavier than air or lighter than air,
Heavier than the air gas: liquefied petroleum gas;
Light gas than the air are: carbon monoxide, natural gas, artificial gas, biogas and so on.
2. Installed below 0.3-1.0 meters below the ceiling, within 2 meters from the air source radius.
3. Ceiling installation: select the appropriate location, usually above the detected gas on the ceiling, from the gas source about 2 meters distance.
4. Do not install the alarm in the fumes, steam larger place, do not install the exhaust fan, doors and windows and bathroom water vapor larger place.

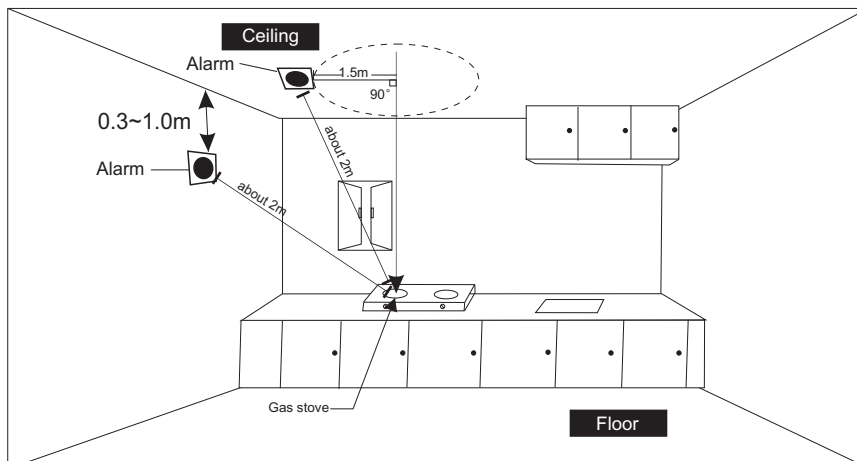
5. Installation diagram



A. Mark the drilling points and drill holes on the wall

B. Insert two nails and secure the base to the wall with two screws

C. Secure the detector to the snap of the base



Product Use

This product can be used as an alarm alone, can also be used with the alarm host network.

1. Use alone

A. When used alone without screening, the police will sound when the alarm alarm;

B. Install the product in the right place;

C. After the detector is energized, it needs to be preheated, and the green light flashes to indicate that the sensor is warming up, and when the green light is on, it indicates that it is in normal working condition.

2. Screening

A. The machine can be used by wireless screening and alarm host;

B. Using the DC12V power supply, the power green light flashes to indicate that the sensor is warming up, and when the green light is on, it indicates that it is in normal working condition.

3. Alarm detector detects a combustible gas leak, the red alarm indicator flashes at the same time the speaker issued a call alarm sound, wireless signal output, when the police cleared, the alarm automatically resume monitoring status.

4. Press the middle "mute" button once, the yellow light flashes, the voice prompts "detector into the silent mode", Will not detect the alarm within 15 minutes after press "mute" button.

5. When the equipment reporting equipment failure, should cut off the power, immediately contact after-sales service.

6. Connection method:

According to the company with the five-color cable (red, black, blue, green and yellow) to explain:

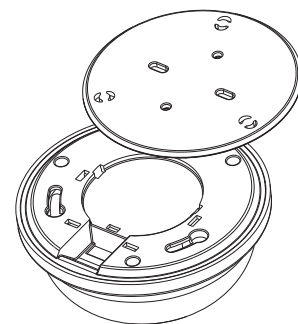
Red line: + 12V

Black line: GND

Blue: COM

Green: NO

Yellow: NC



Product Testing

Can be used for manual testing and gas testing:

1. Press the test button once, the red light flashes, the voice prompt "is about to alarm ..." that manual test alarm.

2. Installed gas leak alarm can be used to ignite the lighter way, in the distance from the gas convection window about 5cm away to put some gas around to test the detector alarm or as a system when debugging. Do not use too much frequent gas testing, which will reduce the sensitivity of gas sensors. Reduced combustible gas concentration will stop the alarm and resume monitoring.

Police Handling

When the concentration of combustible gas in the ambient air reaches or exceeds the concentration set by the alarm, the detector starts to alarm, and you should:

1. Close the pipe valve immediately
2. Immediately open the window is the indoor air circulation
3. extinguish all the fire, blocking everything that can produce sparks
4. Avoid switching power supply
5. Check the cause of gas leak and inform the relevant departments and relevant professionals in a timely manner.

Daily Maintenance

Gas leak detector for a long time use, gas convection window will have some pollutants, affecting the sensitivity of gas sensing. It is recommended that users do not use a small amount of detergent to clean the convection window for 3 months. Do not allow the cleaning fluid to enter the body, so as not to damage the electronic parts inside the body. After the cleaning, please re-test the detector.

Precautions

1. This product must have the correct power supply. For any reason, the power supply will not work.
2. The circuit does not enter a stable working condition, it may cause false positives, wait a moment and then automatically return to normal.
3. This product must be maintained on a regular basis as required by the instructions.
4. Alarm life can not be unlimited, should be tested once every six months, found failure must be repaired or replaced as soon as possible.
5. This product can reduce the occurrence of the accident, but can not ensure that foolproof. For your safety, in addition to the correct use of this product, in daily life to be vigilant, to strengthen awareness of safety prevention.